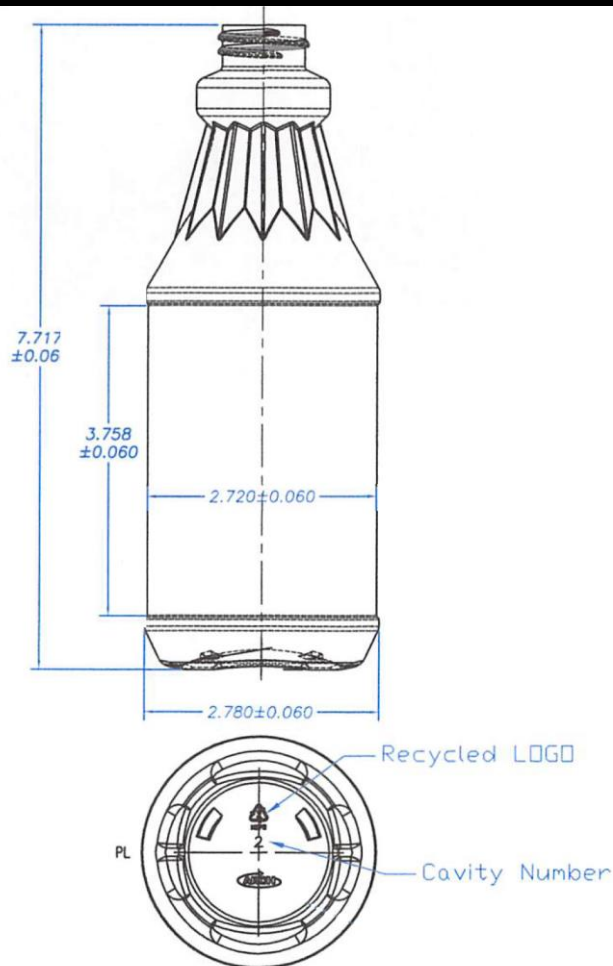


Date Created: 3/16/23

16oz HDPE Fluted RD

Bottle Data Sheet



ARCH # 056228-XXXX

MOLD # K379A0 (8 Cavities #1 to #8)

RESIN & COLORANT: FDA COMPLIANT

OVERFLOW CAPACITY: 519.0 ± 13.0 ml

HEIGHT: 7.717 ± 0.060 Inch

WEIGHT: 32.0 ± 2.5 g

DIAMETER: 2.780 ± 0.060 Inch

NECK FINISH: M28SP400 SPL (1.5 Turn)

BOTTLE PER BOX: 192 (LAYERED PACK)

BOTTLE PER PALLET: 3,072

BOTTLE PER 53' TRUCK: 86,016

PALLET WEIGHT: 306 lbs

STOCK COLORS: Natural